

Stop Infiltration

INTERNAL SEAL FOR

HydraLock

SMALL-DIAMETER PIPE

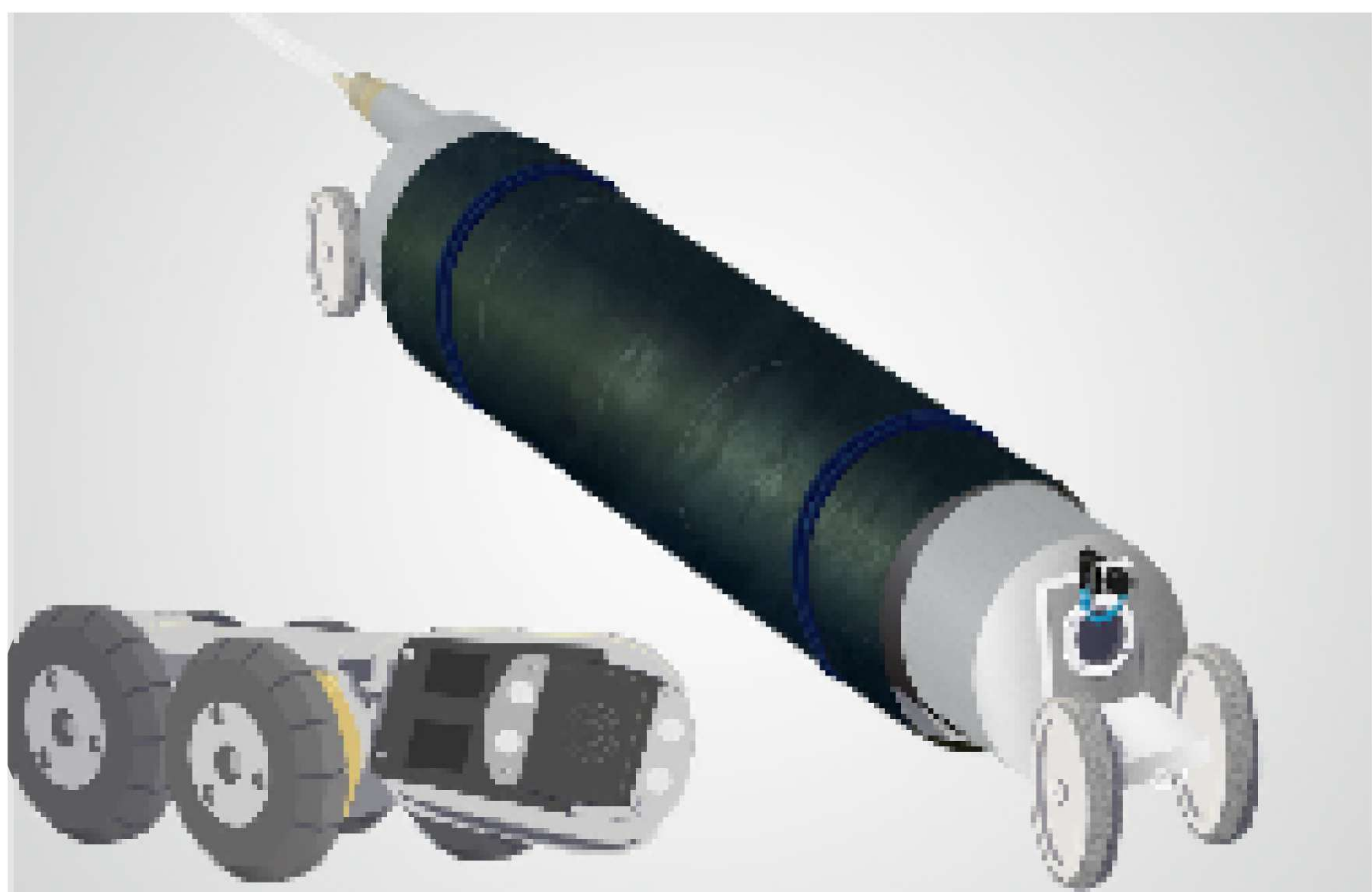
Internal Mechanical Sleeve Repair Trenchless Pipe Solution



- Customized mechanical remediation with NO EXCAVATION REQUIRED!
- RAPID installation and return-to-service. (Ideal for immediate or emergency situations!)
- Seal flexibility accommodates shifting, vibrations, ground settling and thermal expansion/contraction
- Low profile ensures minimal flow loss
- ASTM F3110

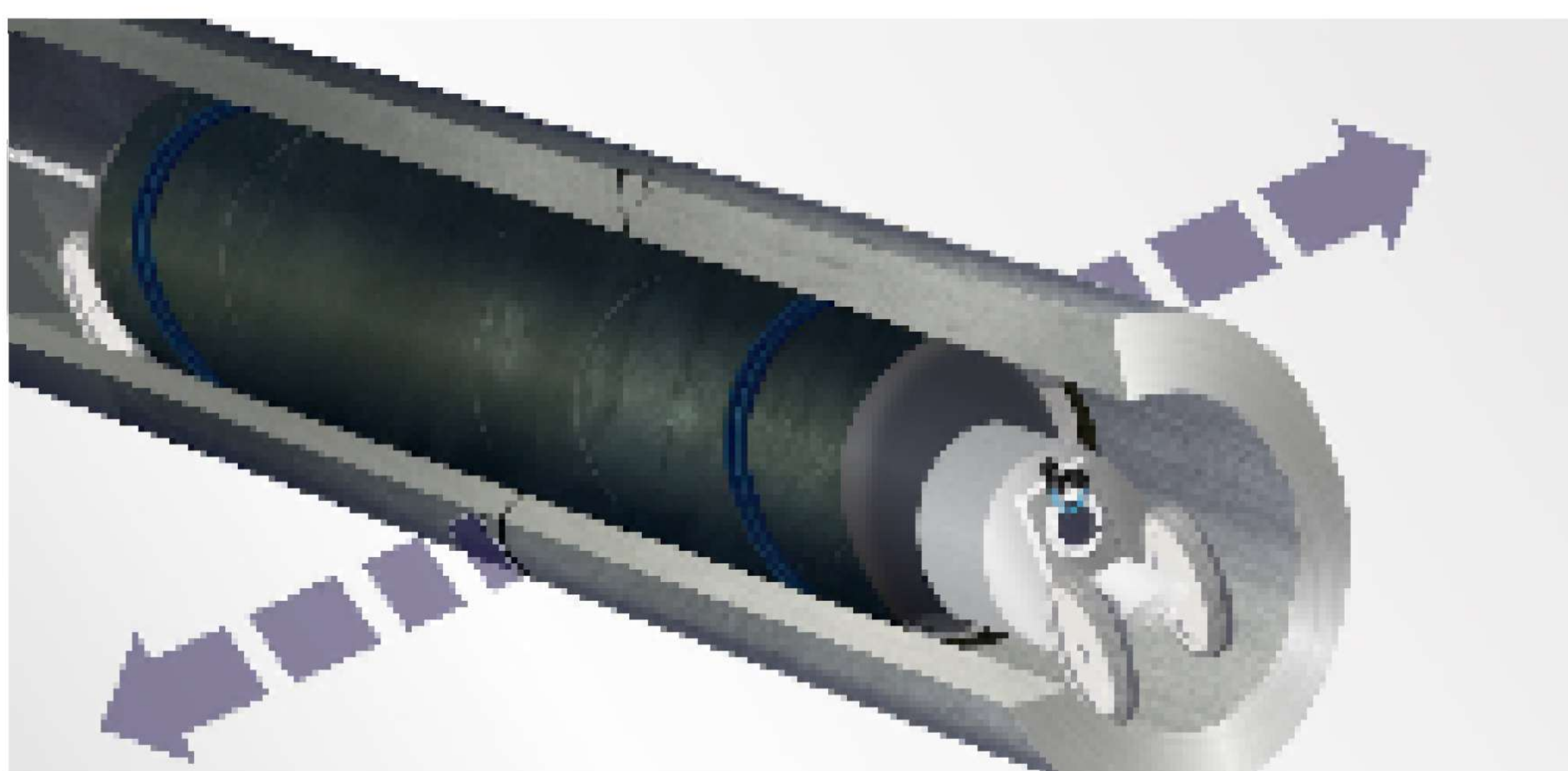
hydratechllc.com/products/hydralock

HydraLock® seals are custom-made for each project. Seals provide a low-cost option for the repair of leaking joints, with projects normally completed in days, not weeks! Superior quality and intricate design assures a tight, leak-free seal. By eliminating the need for excavation, savings can be more than 50%.



1. Set Up Packer & HydraLock

Install packer's front wheel assembly. Slide HydraLock over packer. Install packer's rear wheel assembly. Install camera on the front of the packer (Optional). Rotate HydraLock to ensure toothed strip is facing up. Inflate packer to immobilize HydraLock without expanding the steel sleeve.



2. Install HydraLock

Align HydraLock with repair location. Expand packer.



📍 10448 Chester Road
Cincinnati, OH 45215
☎ 513.827.9169